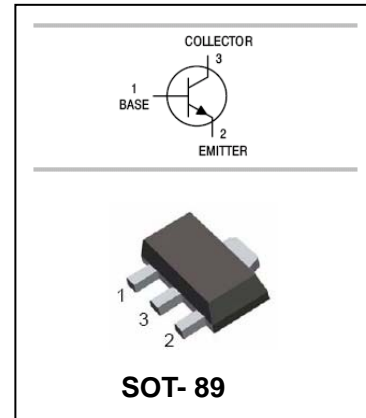


## PNP medium power Transistor

**BC869**

### FEATURES

- Low voltage.
- High current.



### APPLICATIONS

- Low voltage,high current LF applications.
- Complement to BC868.

### ORDERING INFORMATION

Type No.	Marking	Package Code
BC869	CEC/CGC/CHC	SOT-89

### MAXIMUM RATING @ Ta=25°C unless otherwise specified

Symbol	Parameter	Value	Unit
$V_{CBO}$	Collector-Base Voltage	-32	V
$V_{CEO}$	Collector-Emitter Voltage	-20	V
$V_{EBO}$	Emitter-Base Voltage	-5	V
$I_C$	DC Collector Current	-1	A
$I_{CM}$	Peak Collector Current	-2	A
$I_{BM}$	Peak base current	-200	mA
$P_{tot}$	Total power dissipation $T_{amb} \leq 25^\circ\text{C}$	1.35	W
$T_j, T_{stg}$	Junction and Storage Temperature	-65 to +150	°C



**PNP medium power Transistor**

**BC869**

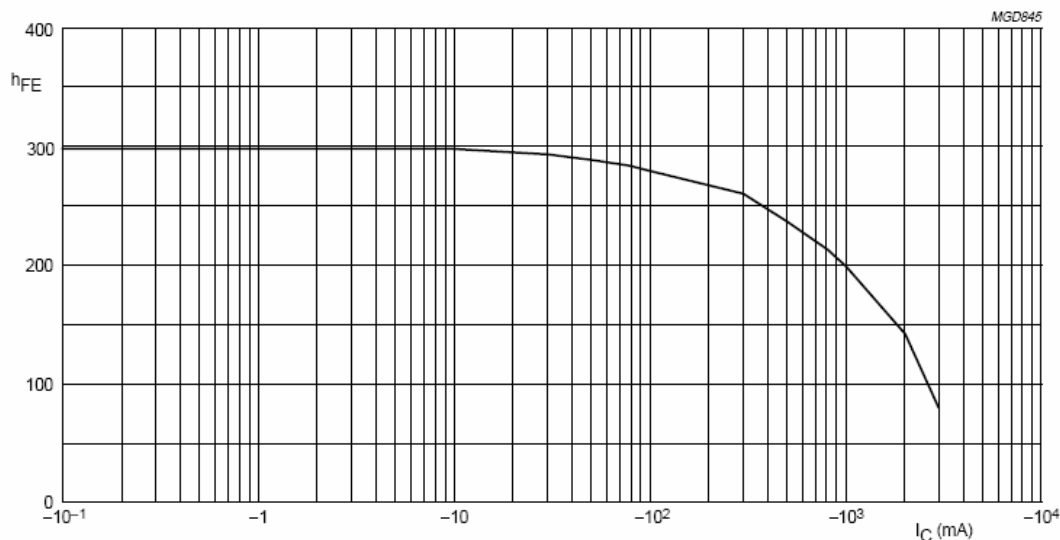
**ELECTRICAL CHARACTERISTICS @ Ta=25°C unless otherwise specified**

Parameter	Symbol	Test conditions	MIN	MAX	UNIT
Collector cut-off current	I <sub>CBO</sub>	V <sub>CB</sub> =-25V I <sub>E</sub> =0		-100	nA
		V <sub>CB</sub> =-25V I <sub>E</sub> =0, T <sub>j</sub> =150°C		-10	μA
Emmitter cut-off current	I <sub>EBO</sub>	V <sub>CE</sub> =-5V I <sub>C</sub> =0		-100	nA
DC current gain	h <sub>FE</sub>	V <sub>CE</sub> =-10V I <sub>C</sub> =-5mA	50		
		V <sub>CE</sub> =-1V I <sub>C</sub> =-500mA			
		BC869	100	375	
		BC869-16	100	160	
		BC869-25	160	375	
		V <sub>CE</sub> =-1V I <sub>C</sub> =-1A	60		
Collector-emitter saturation voltage	V <sub>CE(sat)</sub>	I <sub>C</sub> =-1A I <sub>B</sub> =-100mA		-0.5	V
Base-emitter voltage	V <sub>BE</sub>	I <sub>C</sub> =-1A, V <sub>CE</sub> =-1V		-1	V
Transition frequency	f <sub>T</sub>	V <sub>CE</sub> =-5V, I <sub>C</sub> =-10mA, f=100MHz	40		MHz

**CLASSIFICATION H<sub>FE</sub>**

Range	100-375	100-250	160-375
Marking	CEC	CGC	CHC

**TYPICAL CHARACTERISTICS @ Ta=25°C unless otherwise specified**



V<sub>CE</sub> = -1 V.

Fig 1 DC current gain; typical values.

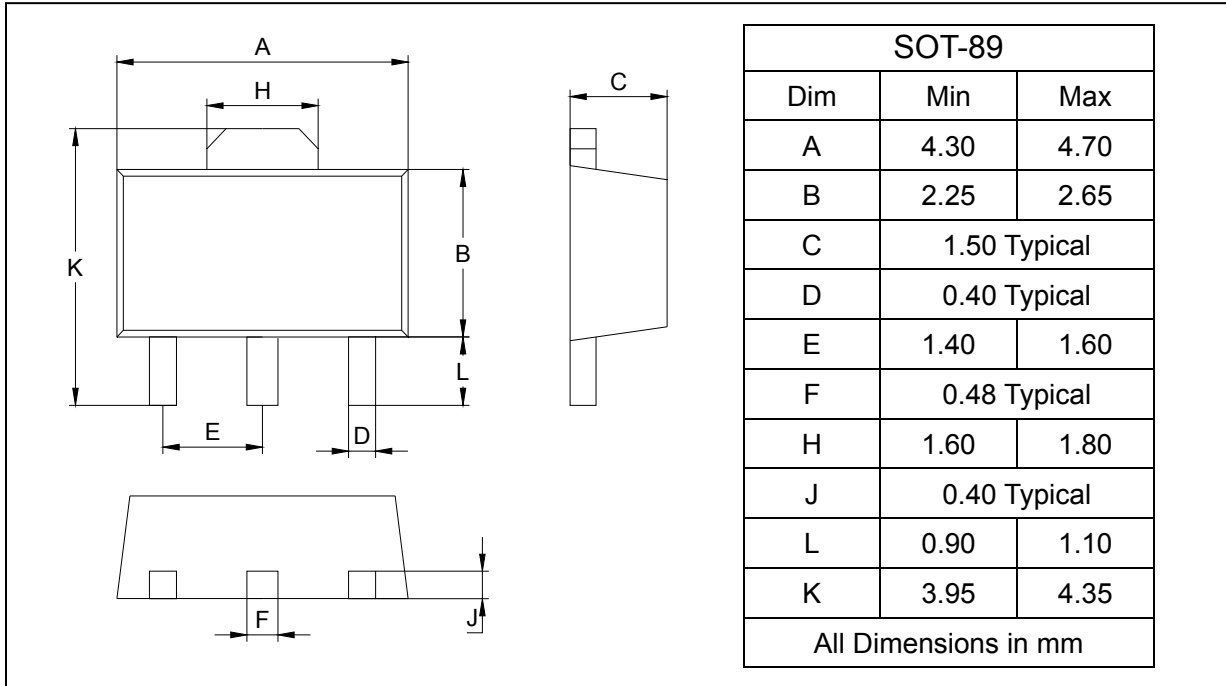
# PNP medium power Transistor

**BC869**

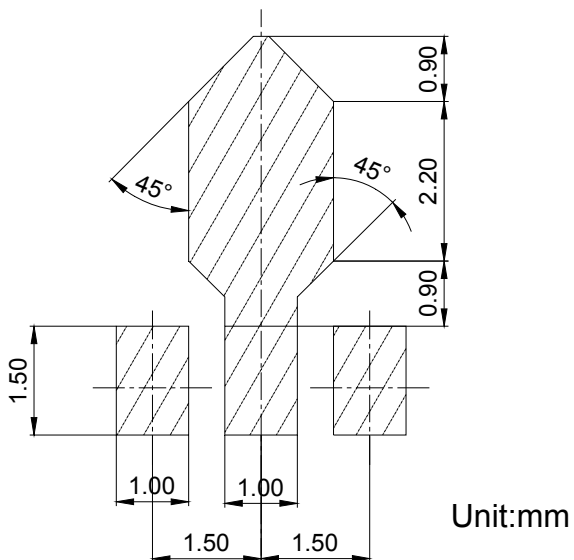
## PACKAGE OUTLINE

Plastic surface mounted package

SOT-89



## SOLDERING FOOTPRINT



## PACKAGE INFORMATION

Device	Package	Shipping
BC869	SOT-89	1000/Tape&Reel